



Cable clamps

For fixing low, medium and high voltage cables, tubes and pipes

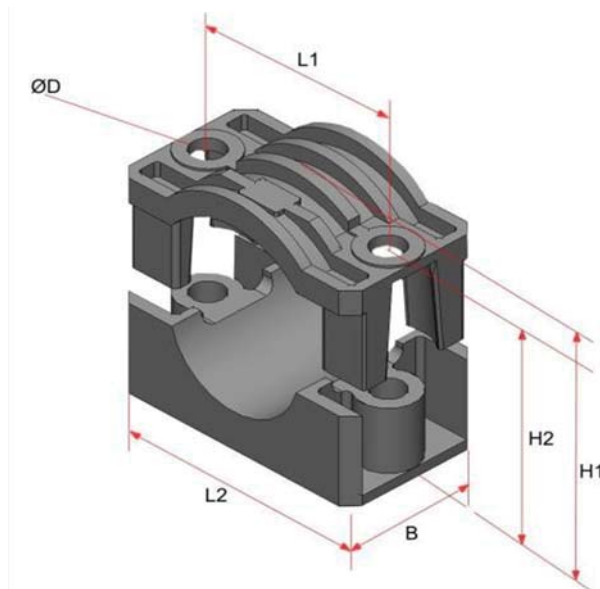
Suitable for indoor and outdoor use

Resistant to UV radiation, ozone, salt, moisture, greases, mineral oils, fuels, alkalis, alcohols and radioactive radiation

Operating temperature between -60° and 120°C
 Brief heating up to 220°C

Material Polyamide glass fibre reinforced 30%, colour black
 UL94 self-extinguishing, halogen-free
 Non-metallic, non-magnetic, corrosion-free

LKHE - single cable clamp



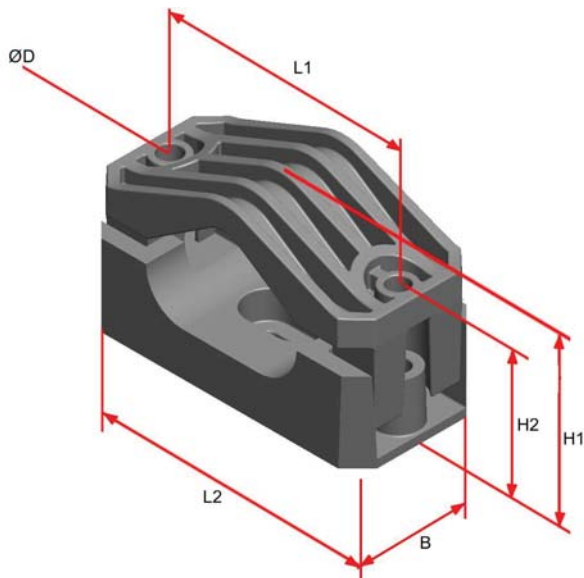
We recommend a maximum tightening torque of the fixing screws of 5 Nm*

* **Decisive are the specifications of the cable manufacturer**

Type	L1 (mm)	L2 (mm)	B (mm)	D (mm)	H1 (mm)	H2 (mm)	cable Ø from/to (mm)	Bending strength (kN)	Mounting screws
LKHES 16/25	43	66	21	4,0	40	32	16/25	4,5	-
LKHEB 16/25	52	66	32	7,0	40	34	16/25	9	2 x M6
LKHES 24/38	52	66	32	7,0	40	36	24/38	9	2 x M6
LKHEB 24/38	75	95	55	12,5	48	42	24/38	13	2 x M10
LKHE 33/43	75	95	42	12,5	50	35	33/43	10	2 x M10
LKHE 45/55	75	95	42	12,5	59	40	45/55	10	2 x M10
LKHE 35/54	75	100	55	12,5	60	48	35/54	12	2 x M10
LKHE 50/76	95	115	52	12,5	70	48	50/76	14	2 x M10
LKHE 66/92	120	148	72	14,0	106	76	66/92	25	2 x M12
LKHE 90/110	150	182	80	14,0	126	96	90/110	25	2 x M12



LKHD Triple-Cable clamp



LKHV Quadruple-Cable clamp



New triple cable clamp types; available from 01.01.2021. The LKHV 24/30 remains unchanged.

Type	L1 (mm)	L2 (mm)	B (mm)	D (mm)	H1 (mm)	H2 (mm)	cable Ø from/to (mm)	Bending strength (kN)	Mounting screws
LKHD 24/41	125	171	80	12,5	77	62	24/41	25	2 x M10
LKHD 39/53	145	189	80	12,5	103	65	39/53	25	2 x M12
LKHD 51/64	160	205	80	12,5	137	81	51/64	25	2 x M12
LKHV 24/30	113,5	142	80	12,5	102	75	24/30	25	2 x M10

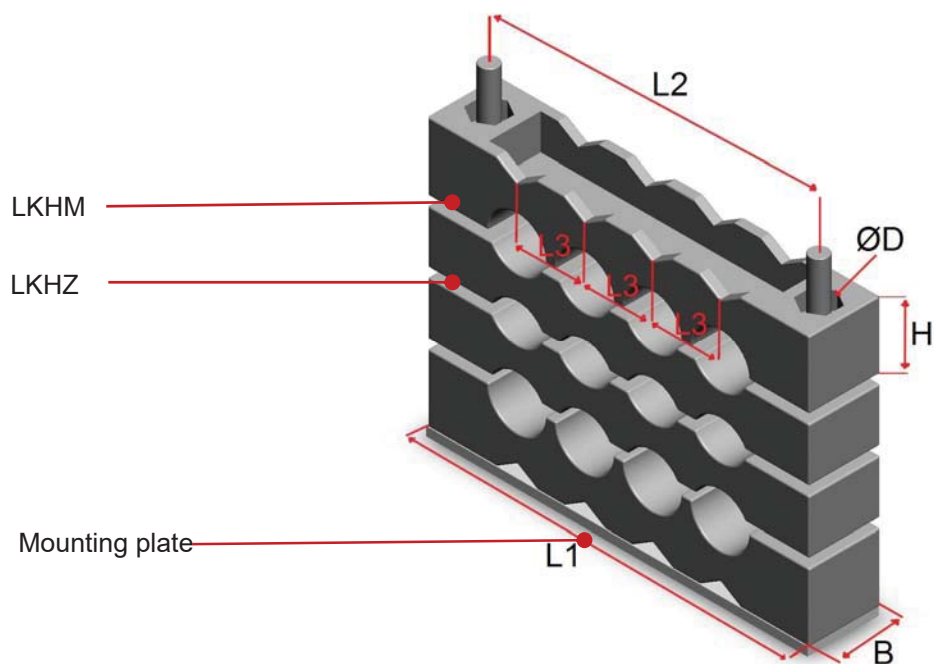
The articles listed below have been discontinued and will expire shortly. Please contact your sales representative to find the appropriate alternative.

Type	L1 (mm)	L2 (mm)	B (mm)	D (mm)	H1 (mm)	H2 (mm)	cable Ø from/to (mm)	Bending strength (kN)	Mounting screws
LKHD 24/37	113,5	142	80	12,5	85	58	24/37	25	2 x M10
LKHD 32/47	142,5	172	80	12,5	92	58	32/47	25	2 x M10
LKHD 40/50	142,5	172	80	12,5	110	76	40/50	25	2 x M10



LKHM Multiple-Cable clamp

Installation-Example



Type	L1 (mm)	L2 (mm)	L3 (mm)	B (mm)	D (mm)	H (mm)	cable Ø from/to (mm)	Threaded rod
LKHM 12/32/214	214	185	41	40	11,5	38	12-32	-
LKHM 10/23/214	214	185	44	40	11,5	38	10-23	-
LKHM 10/32/214	214	185	38	40	11,5	38	10-32	-
LKHZ 12/32/214	214	185	38	40	11,5	34	12-32	-
LKHZ 12/23/214	214	185	38	40	11,5	12	10-23	-
Mounting plate	214	185	-	-	-	-	-	2 x M10